

## COMPATIBILITY GUIDE

Wright Products® keyed locking mortise leverset for wood core doors are compatible with the following storm doors:

### Larson®

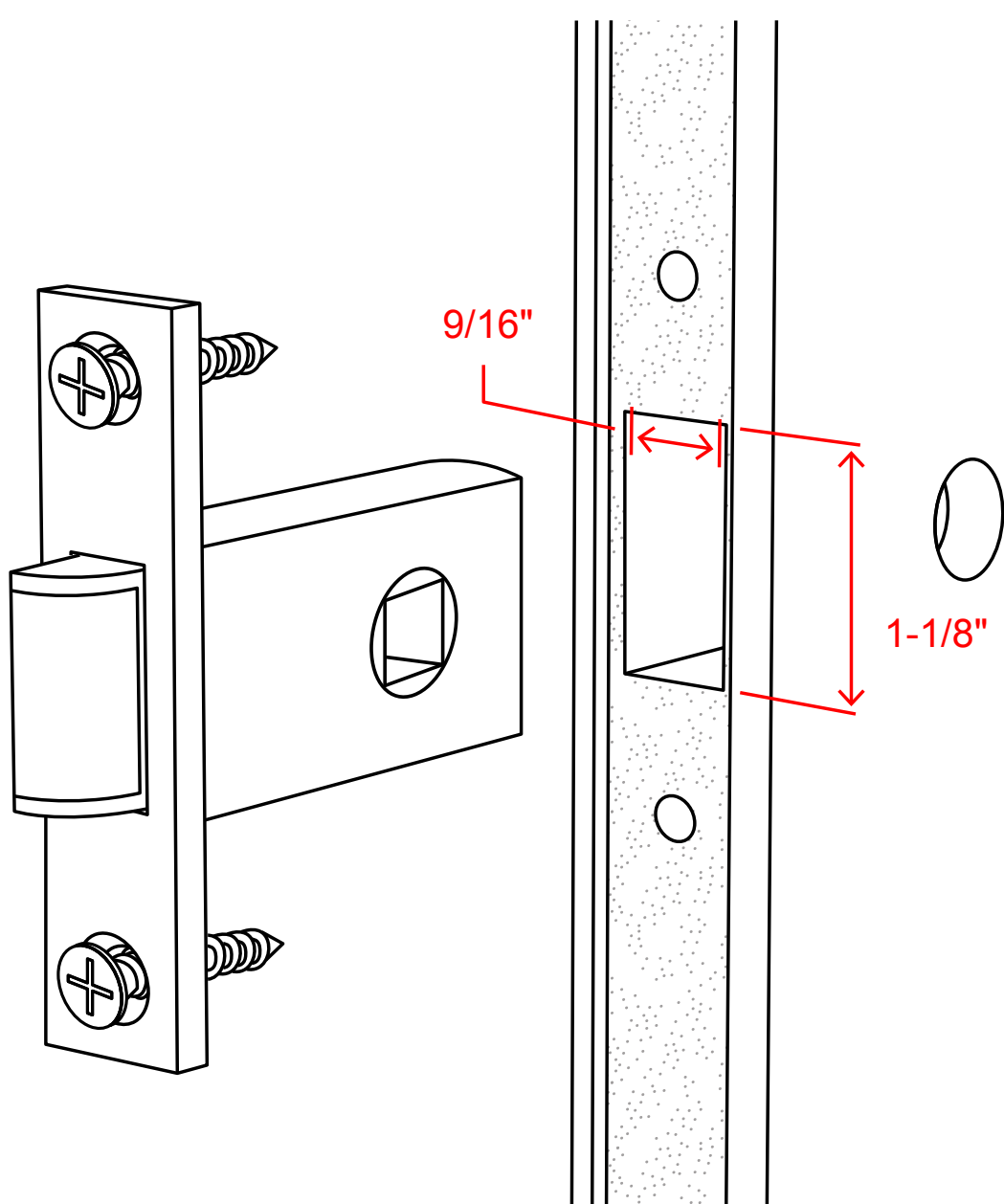
Pet Door, Pet Door XL, Westminster Self Storing Pet Door, Royal Oak Screen Away, Timberline.

\* Larson is a registered trademark of Larson Manufacturing Company of South Dakota, LLC

If your door is not listed, you can verify compatibility by checking the following:

**1**

Verify your door has a factory bored hole that is at least 9/16 in by 1-1/8 on edge of door:



**2**

Verify existing holes.

