

COMPATIBILITY GUIDE

Wright Products keyed locking mortise levers are compatible with the following storm doors:

Andersen®

10 Series (Full View Interchangeable, Full View Laminated, Full View Retractable),
8 Series / 6 Series / 2000 Series / 3000 Series / 4000 Series (Full View Interchangeable, Full View Retractable).

Larson®

Tradewinds Selection, Signature Selection, Platinum Collection, Williamsburg.

Pella®

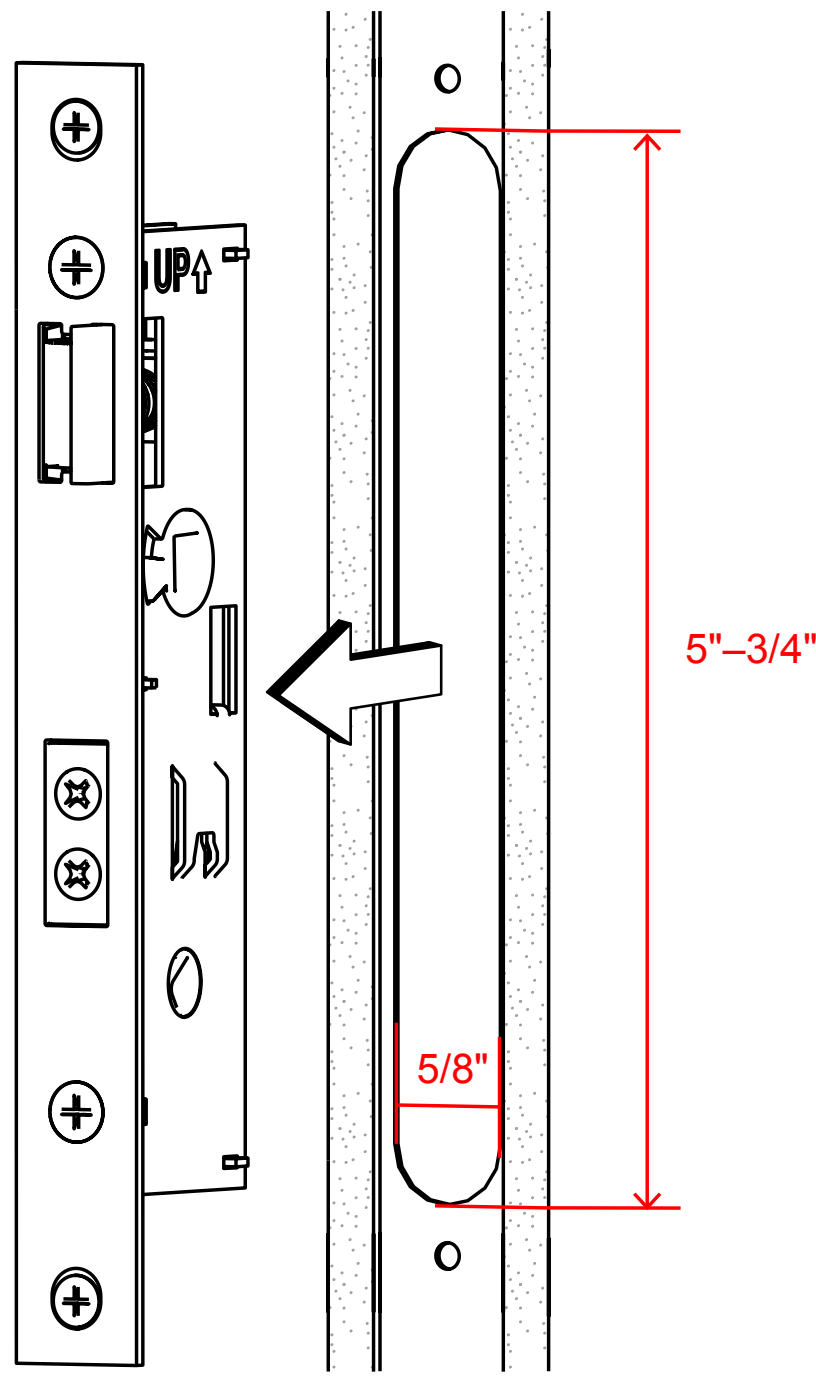
Rolscreen (Models 3525, 3550, 3570), Select, Venetian.

All trademarks are property of their respective owners.

If your door is not listed, you can verify compatibility by checking the following:

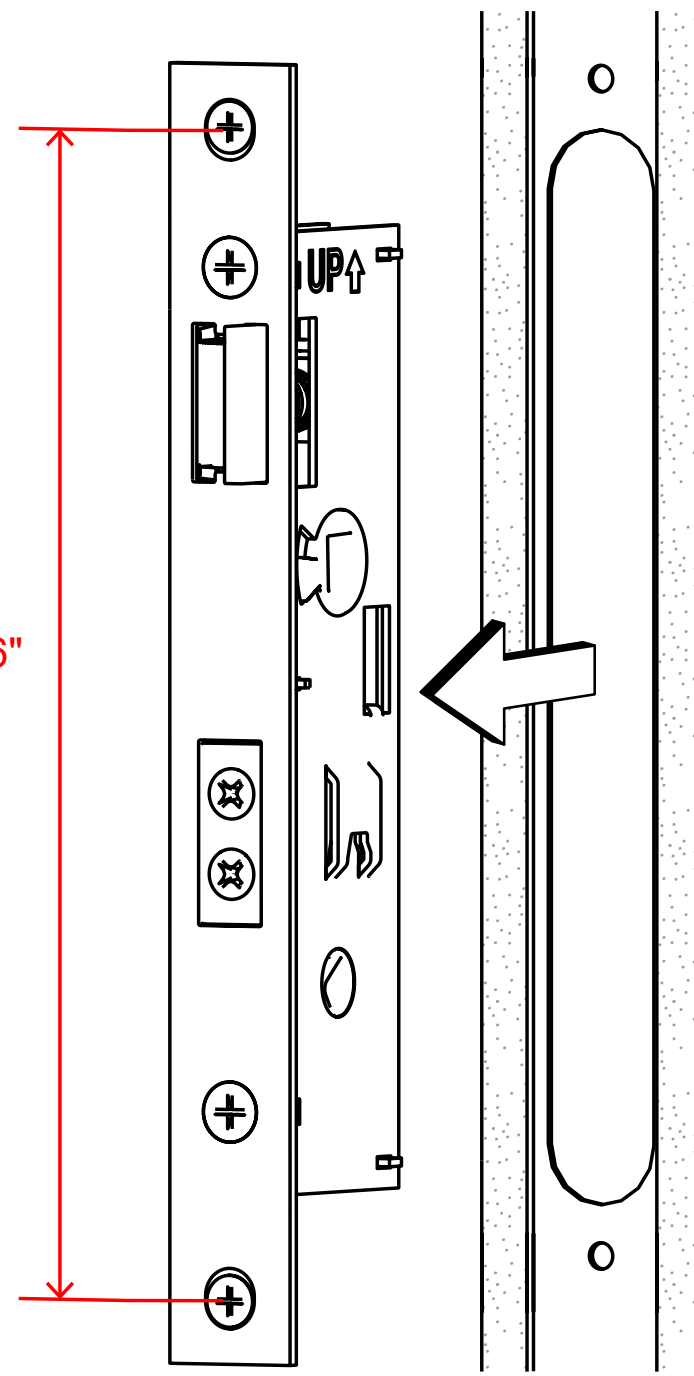
1

Verify your door has a factory bored mortise hole on edge of door that is at least 5/8 in by 5-3/4 in.



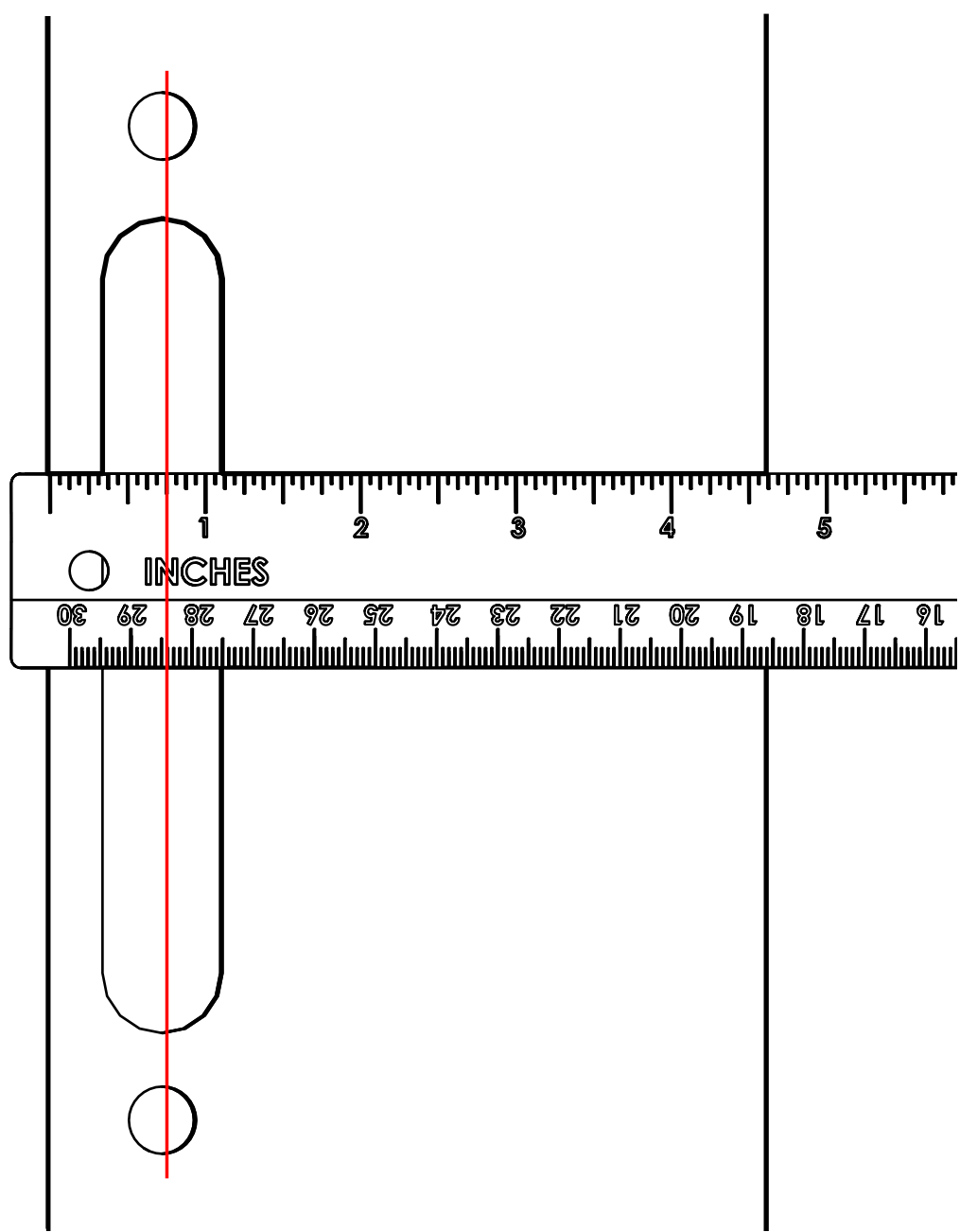
2

Verify hole to hole spacing of lockbody. Wright Products keyed locking mortise lever fits 6-15/16 – 7” hole spacing.



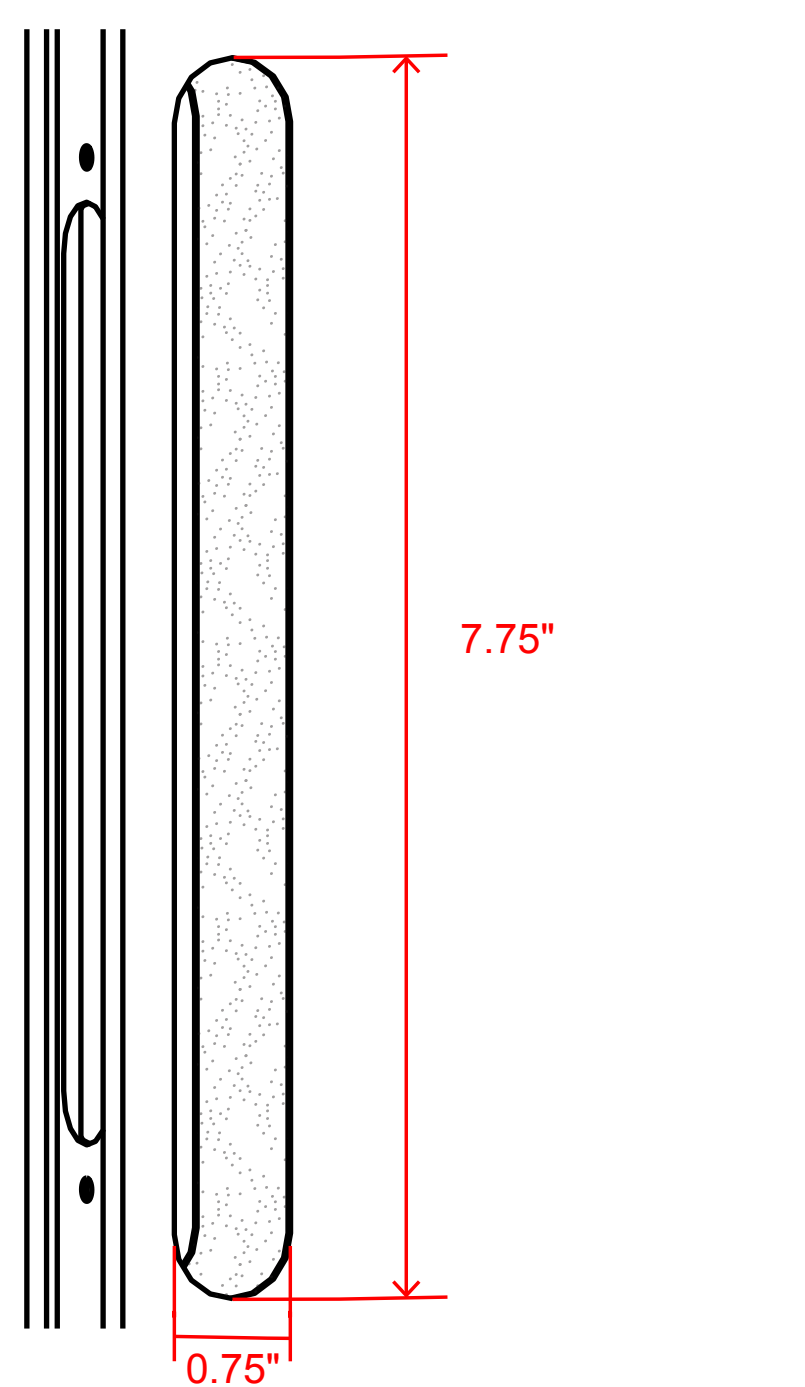
3

Verify backset. Measure from edge of door to center of crossbore. Confirm backset measures 3/4 in or 1 in.

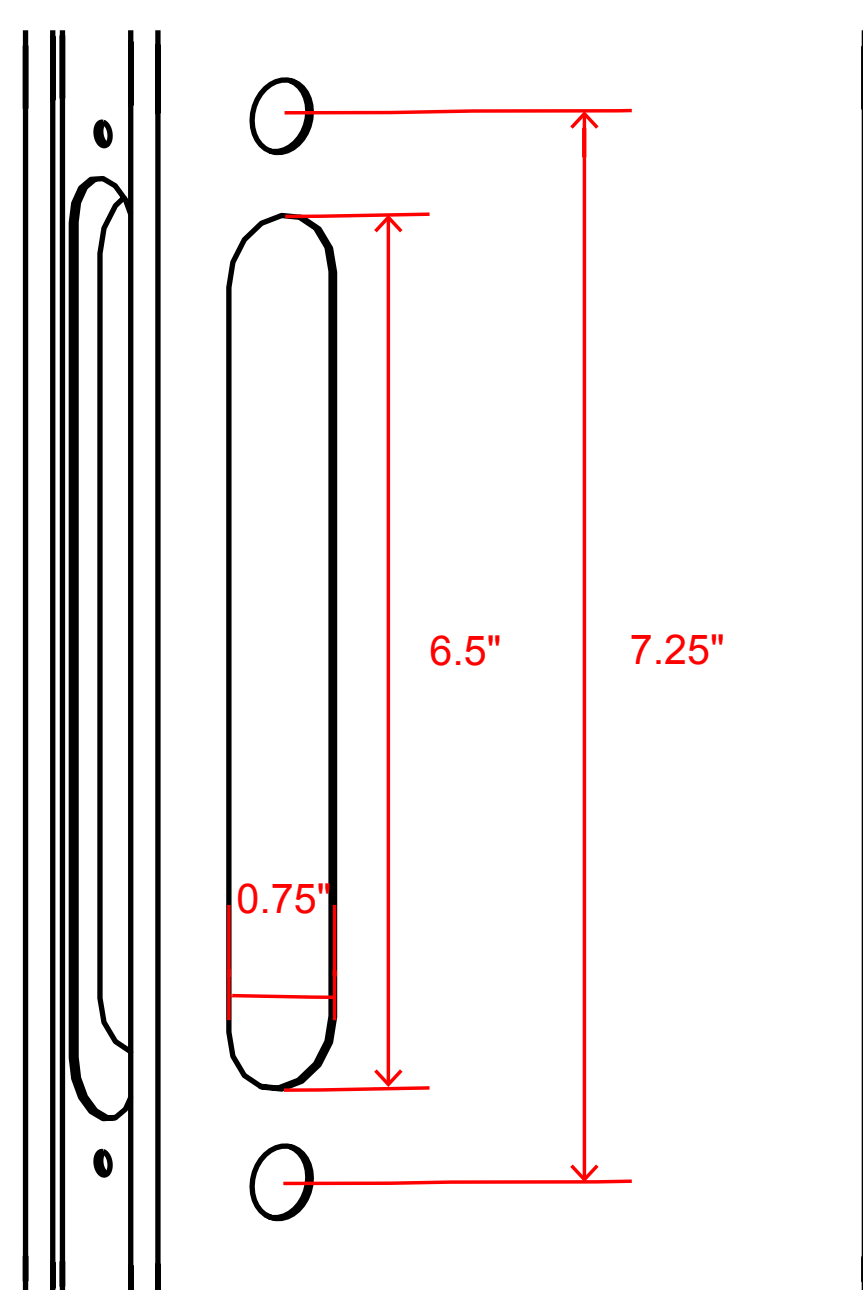


4

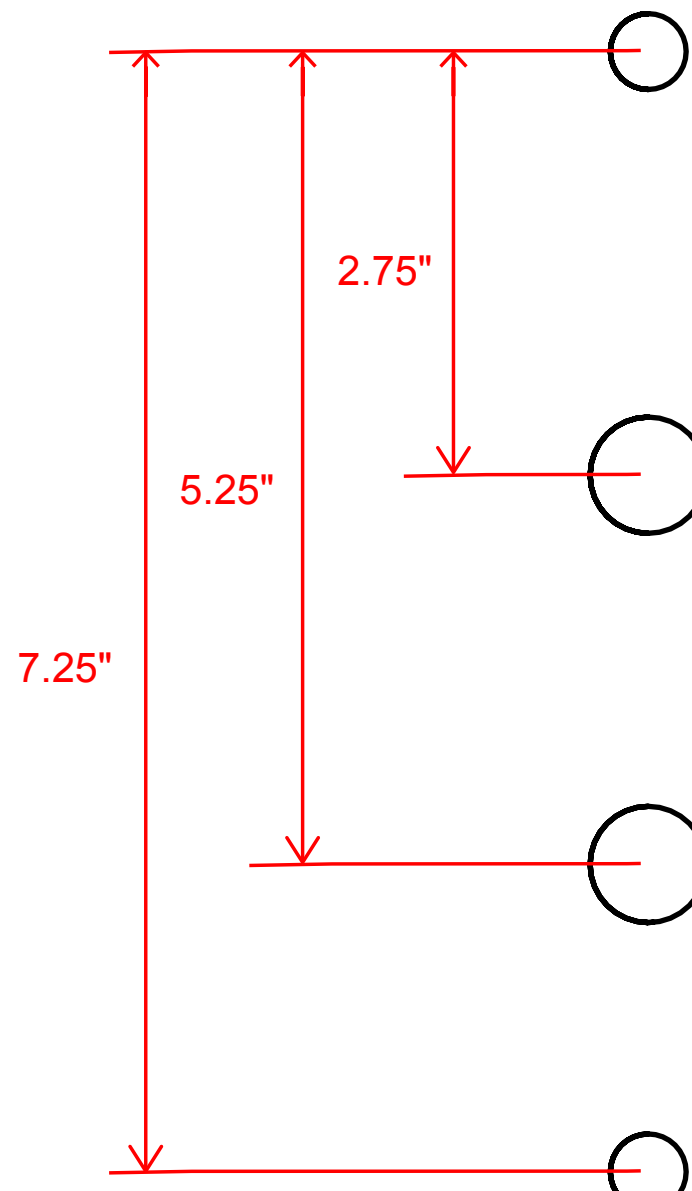
Verify measurements of existing door prep. If your existing door has a large crossbore hole as shown below, verify it is at least 7.75 in by 0.75 in.



* If your existing door has a large crossbore hole with two smaller holes, verify it is at least 6.5 in x 0.75 in



* If your existing door has individual holes, verify the following dimensions.



- If your existing door does not meet these measurements, you can drill new holes using drill template provided with installation instructions.
- However the above steps 1-3 need to be met.

- Latch, handle and face plate styles may look different depending on model.

